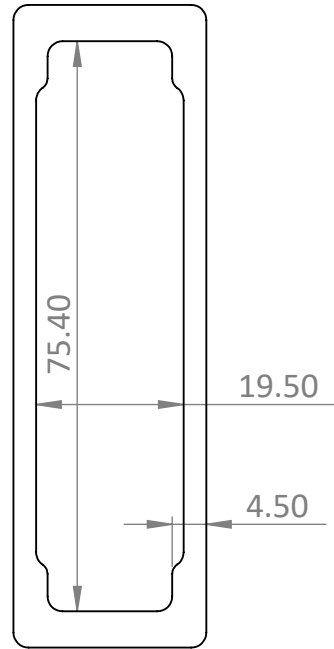
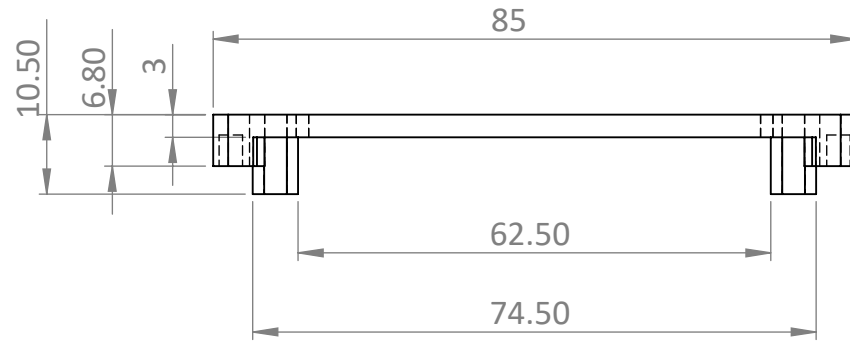


Bottom side



Upper side



Magnetic Lid for μ -Slide Microscopy Rack