

The Elbow Luer Connector Male is a male Luer to single barb connector especially designed for the ibidi Heating System, Universal Fit in combination with the ibidi Pump System. It fits optimally in all μ -Slides with female Luer adapters placed in the heating stage on the microscope. Apart from that, the Elbow Luer Connector Male may be used in any other combination connecting a female Luer adapter to a tube.

Material

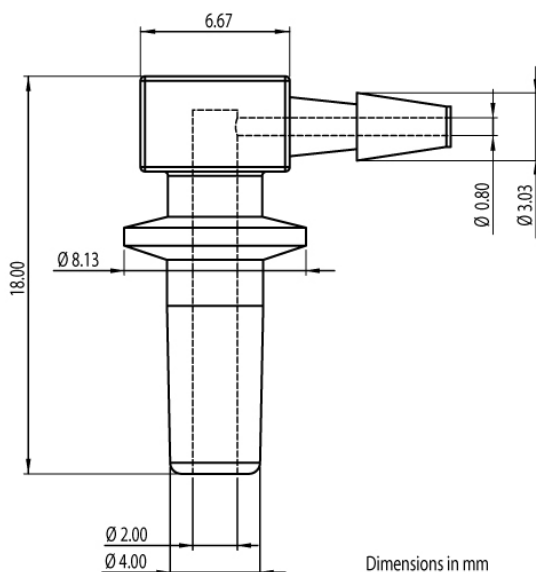
The Elbow Luer Connector Male is produced of polyethylene. The material is tested for cell growth compatibility. The Elbow Luer Connector Male can be sterilized by ethylene oxide gas or with ethanol. Autoclaving is not possible.

Specifications

Male Luer Adapter	
Suitable for:	Female Luer adapters
Inner diameter:	2 mm
Single Barb	
Suitable for:	Flexible tubes, ID 0.8–1.6 mm
Inner diameter:	0.8 mm
General	
Total height:	18 mm
Angle	90°
Temperature stability:	Up to 80°C/175°F (not autoclavable)
Material:	Polyethylene
Color	Natural
Resistant to:	Ethanol
Max. pressure	500 mbar

Applications

The Elbow Luer Connector Male can be included in any connection between a female Luer adapter to a flexible tubing with an inner diameter of 0.8–1.6 mm. The very low height is especially designed for the application to μ -Slides in combination with the ibidi Heating System, Universal Fit.



Ordering Information

The Elbow Luer Connector Male is available in a packaging size of 25 pcs.

Cat. No.	Description	Characteristics
10802	Elbow Luer Connector Male: Natural Polyethylene	sterilized

For research use only!

Further information can be found at www.ibidi.com. For questions and suggestions please contact us by e-mail info@ibidi.de or by telephone +49 (0)89/520 4617 0.

© ibidi GmbH, Lochhamer Schlag 11, 82166 Gräfelfing, Germany.